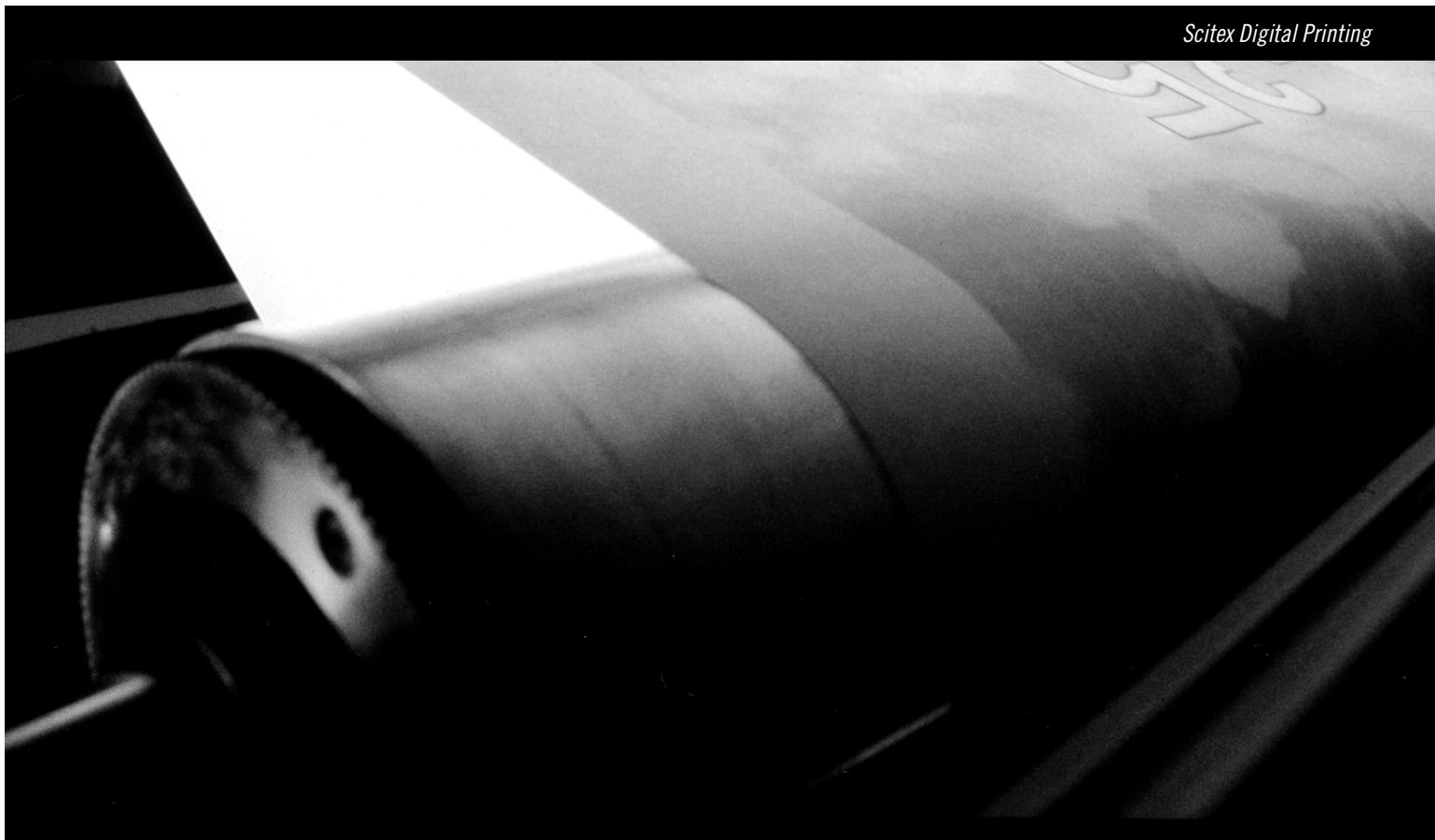


# **Dijit<sup>®</sup> 5000 Series Printers** **ILLUSTRATED PARTS LIST**

**5120/5240/5122 Printers**

*Scitex Digital Printing*



Scitex Digital Printing



***Dijit<sup>®</sup> 5000 Series Printers***  
***ILLUSTRATED PARTS LIST***

***5120/5240/5122 Printers***



**Scitex Digital Printing**

## FCC Compliance Statement

This equipment has been tested and found to comply with the limits for a Class A digital device, pursuant to Part 15 of the FCC Rules. These limits are designed to provide reasonable protection against harmful interference when the equipment is operated in a commercial environment. This equipment generates, uses, and can radiate radio frequency energy and, if not installed and used in accordance with the instruction manual, may cause harmful interference to radio communications. Operation of this equipment in a residential area is likely to cause harmful interference, in which case the user will be required to correct the interference at his own expense.

Note: Good quality, shielded (braided shielded) cables must be used for the RS-232-C and Centronics interfaces.

## Canadian EMI Compliance Statement

Le présent appareil numérique n'émet pas de bruits radioélectriques dépassant les limites applicables aux appareils numériques de la classe A prescrites dans le Règlement sur le brouillage radioélectrique édicté par le ministère des Communications du Canada.

This digital apparatus does not exceed the Class A limits for radio noise emissions from digital apparatus set out in the Radio Interference Regulations of the Canadian Department of Communications.

## EMI-CISPR 22/EN 55 022/CE Marking

Warning: This is a Class A product. In a domestic environment, this product may cause radio interference in which case the user may be required to take adequate measures.

## Dijit<sup>®</sup> 5000 Series Printers *Illustrated Parts List*

Part Number	Revision	Date	Description	ECN
0113783	001	02/2002	Revision for current 5240 and 5122	SDP113

### Previous Releases

Part Number	Revision	Date	Description	ECN
0113854	00	07/1997	Revision for 5240	09360
0113658	00	11/1995	Initial release - 5120	08001

© Copyright 2002, Scitex Digital Printing, Inc. All rights reserved.  
3000 Research Blvd., Dayton, OH 45420-4099

This document contains proprietary information of Scitex Digital Printing, Inc. or its licensors and is their exclusive property. It may not be reproduced without a written agreement from Scitex Digital Printing, Inc. No patent or other license is granted to this information.

The software described in this document is furnished under a license agreement. The software may not be used or copied except as provided in the license agreement.

Scitex Digital Printing, Inc. makes no warranty of any kind with regard to the contents of this document, including, but not limited to, the implied warranties of merchantability and fitness for a particular purpose. Scitex shall not be liable for any errors or for compensatory, incidental or consequential damages in connection with the furnishing, performance, or use of this document or the examples contained herein. Information concerning products not manufactured by Scitex Digital Printing, Inc. is provided without warranty or representation of any kind, and Scitex Digital Printing, Inc. will not be liable for any damages resulting from the use of such information.

Scitex and the Scitex logo are registered trademarks and service marks of Scitex Corporation Ltd. Dijit is a registered trademark. FaxBack is a trademark of FaxBack, Inc. All other trademarks are property of their respective owners.

## Scope

This document lists and illustrates Field Replaceable Units (FRUs) and consumables for the following products:

- Dijit® 5120 Printer
- Dijit® 5240 printer  
These printers have 1" printheads
- Dijit® 5122 printer  
This printer has a 2" printhead
- Printing System with Jetscape software
- Printing System with the MailScape™ program
- Printing System with the dual controller  
The controller cabinet encloses a printer.

Note: In this guide, Dijit® Printing System refers specifically to the computer running Jetscape or MailScape™, the cabinet that contains a printer, and any printing system options.

This document does not describe parts for the following products:

- Dijit® 5000 Printer
- Dijit® 5100 Printing System
- Dijit® 5242 Printing System
- Dijit® 5300 Printing System

For the 5000 printer and 5100 printing system, refer to the following publications:

- *Illustrated Parts* (0113600)
- *Parts List* (0113601)

The procedures in this guide should be performed only by a Scitex field engineer, or a service technician trained by Scitex Digital Printing, Inc.

## Service and Support

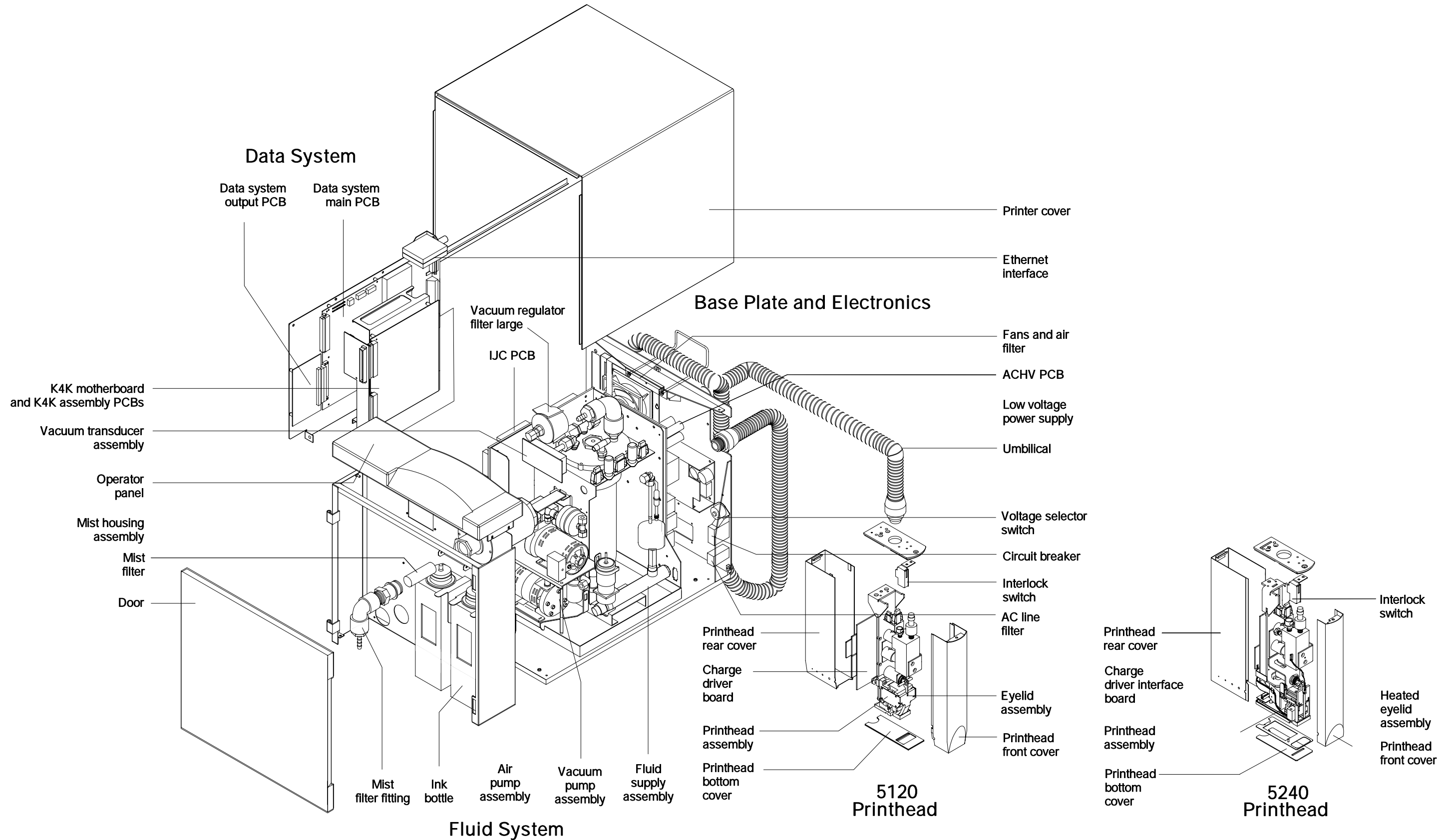
Technical equipment support is available 24 hours a day, 7 days a week.

Software and applications support is available 8:00 a.m. to 5:00 p.m. EST/EDT, Monday through Friday.

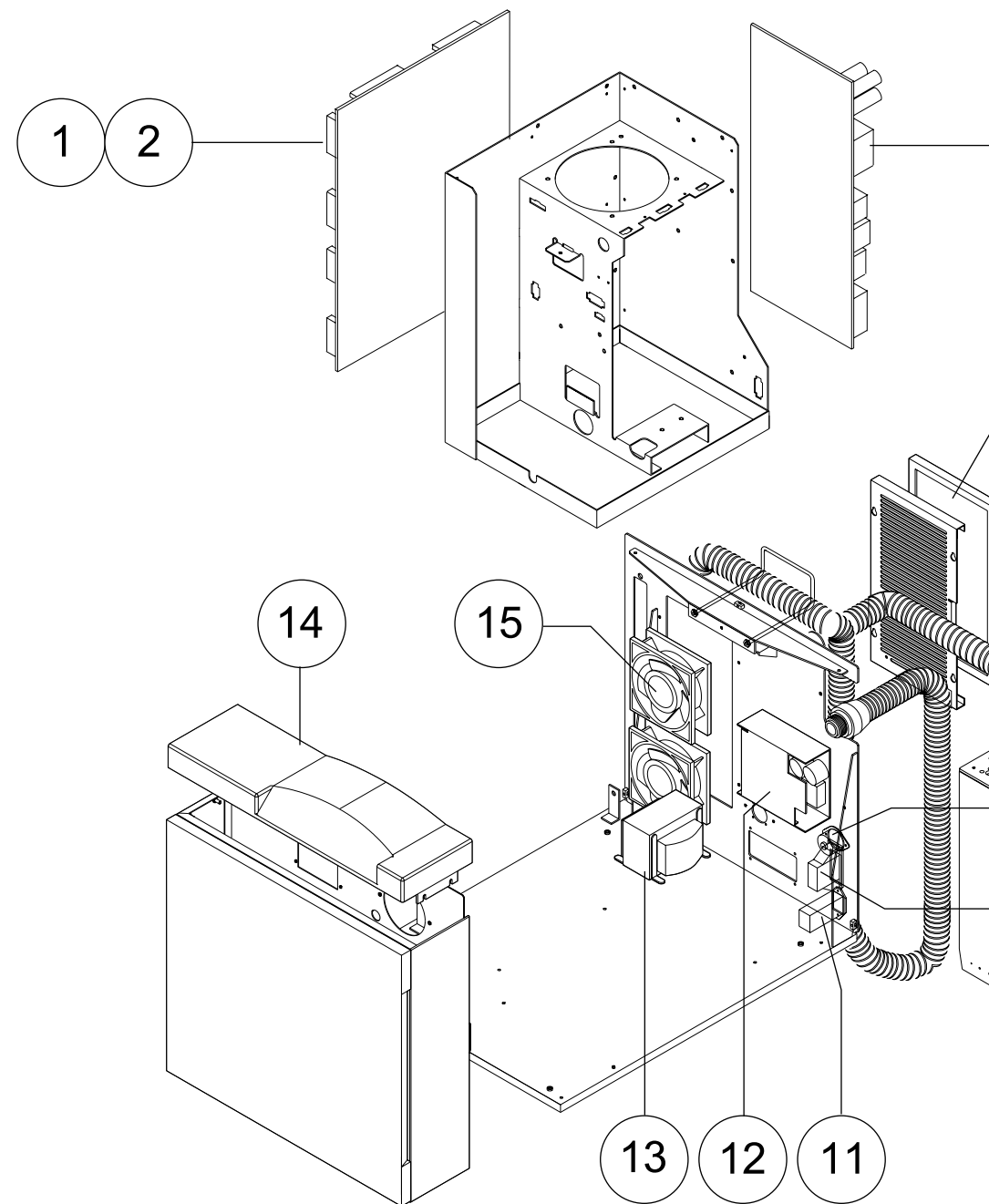
	<b>Phone</b>	<b>Fax</b>
U.S.A. and Canada Field/Telephone support	1-800-4SCITEX (1-800-472-4839)	+1-937-259-3808
Europe Field/Telephone support	+4121-806-0404	+4121-806-1920
Asia/Pacific Rim Field/Telephone support	+65-744-6400	+65-744-6700
Japan Field/Telephone support	+81-3-3256-2613	+81-3-3256-2616
Worldwide Technical support, order placement, documentation, and product information requests	+1-937-259-3739	+1-937-259-3808
Worldwide Automated FaxBack™ Information Line	+1-937-259-3520	
Internet Updated service information	<a href="http://www.scitexdpi.com">http://www.scitexdpi.com</a>	

The above telephone number listing is accurate as of the publication date. On the Internet, go to <http://www.scitexdpi.com/support> for updated telephone numbers.

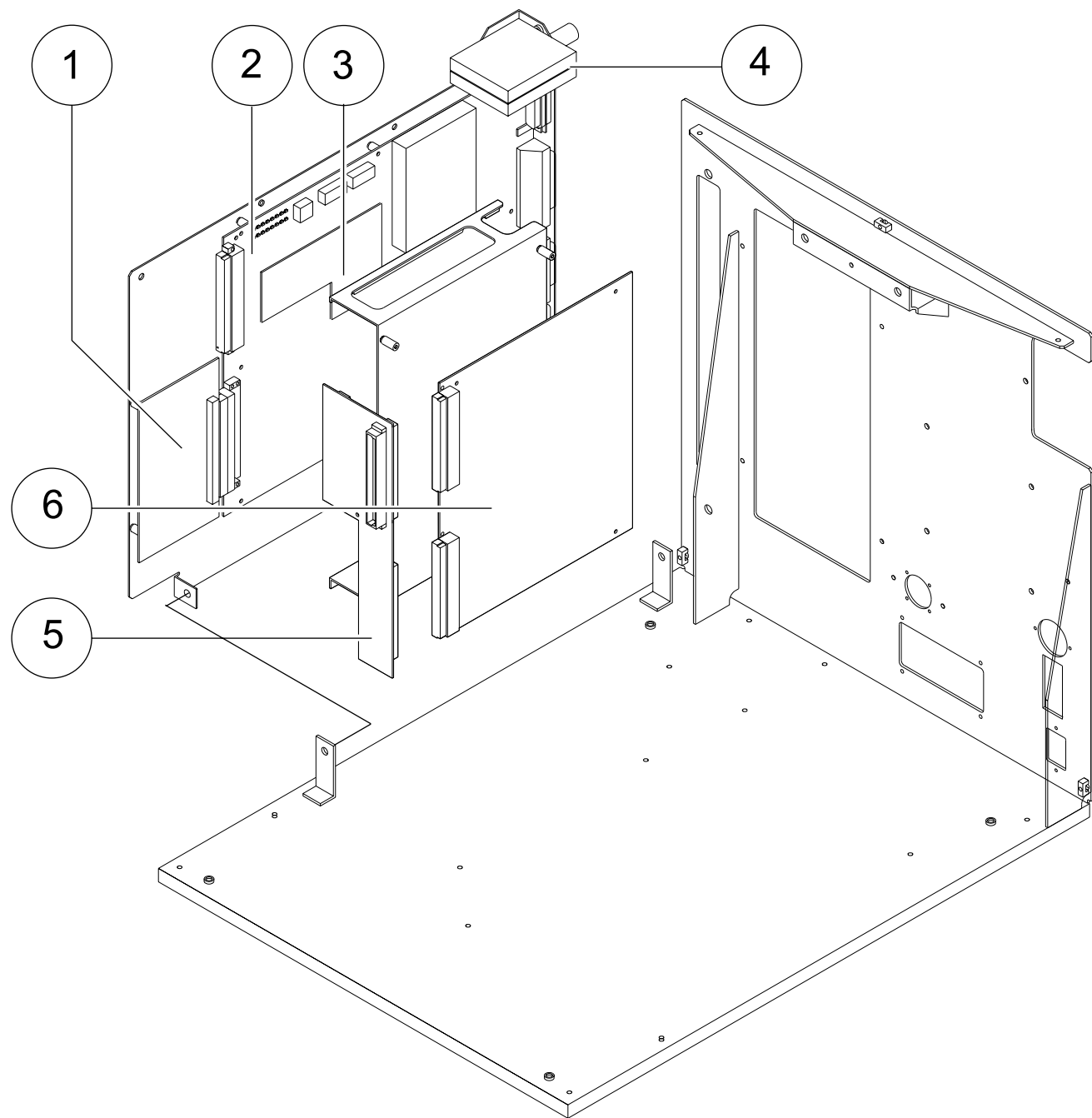
# Overview Scitex Dijit® Printers



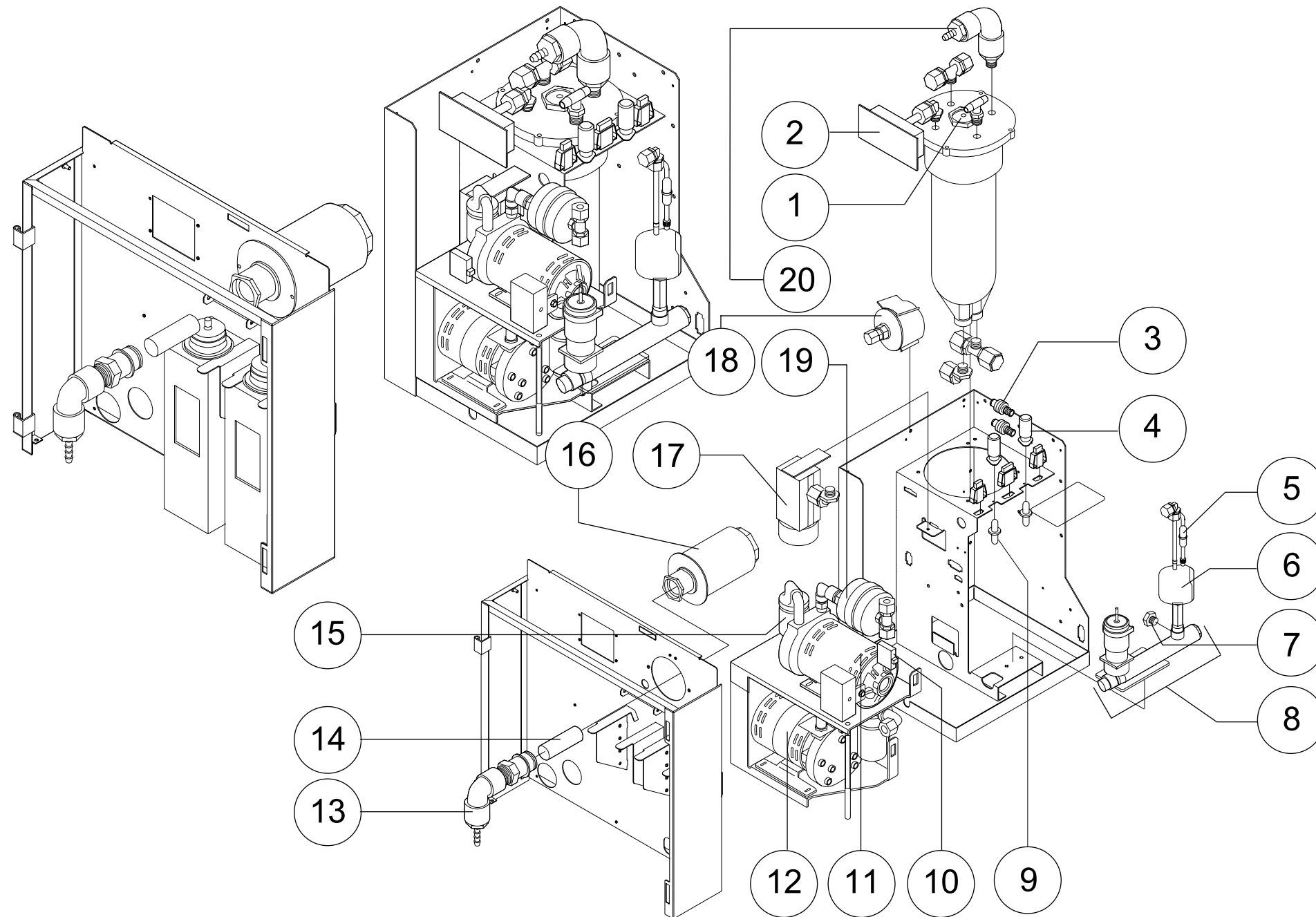
## Base Plate and Electronics



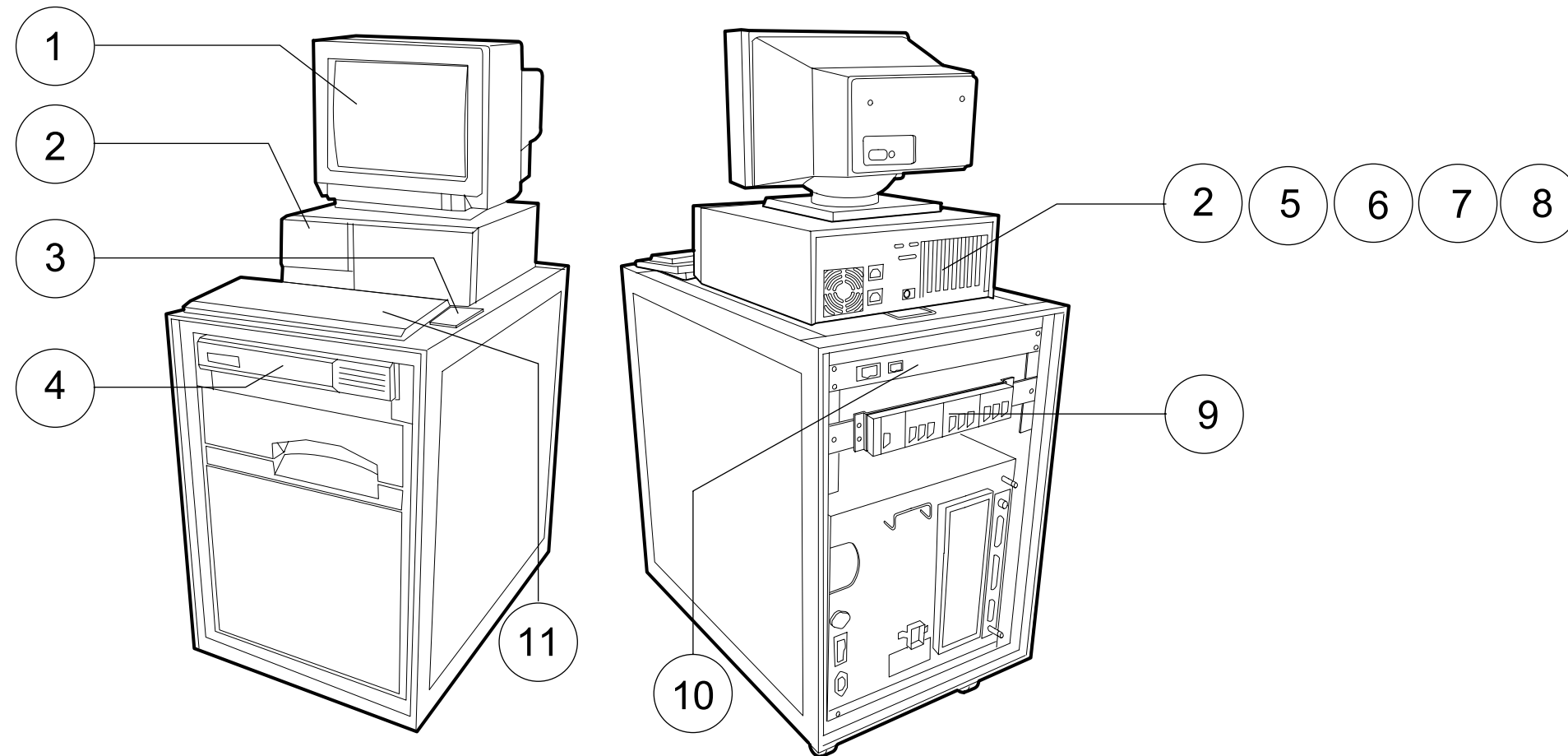




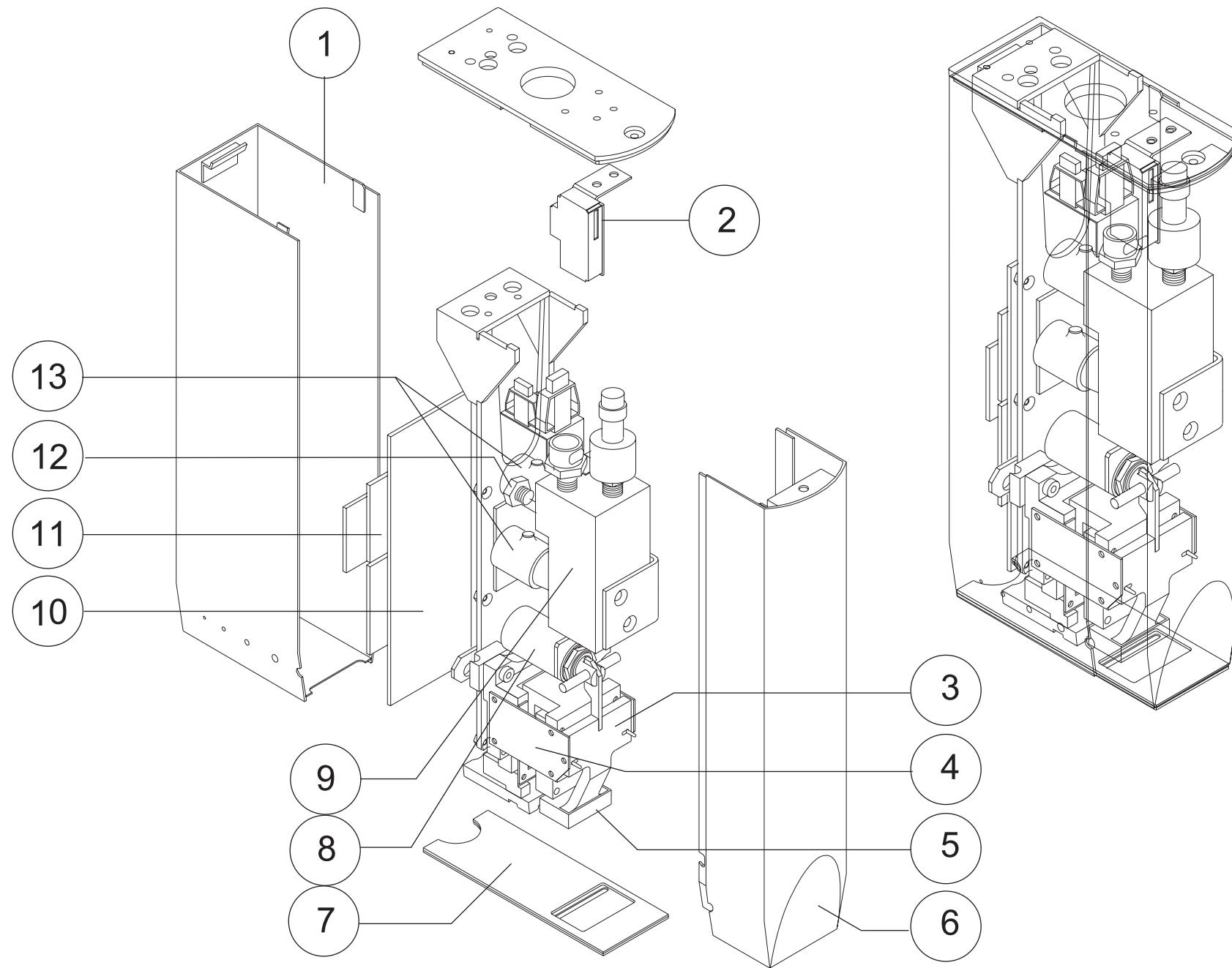
# Fluid System



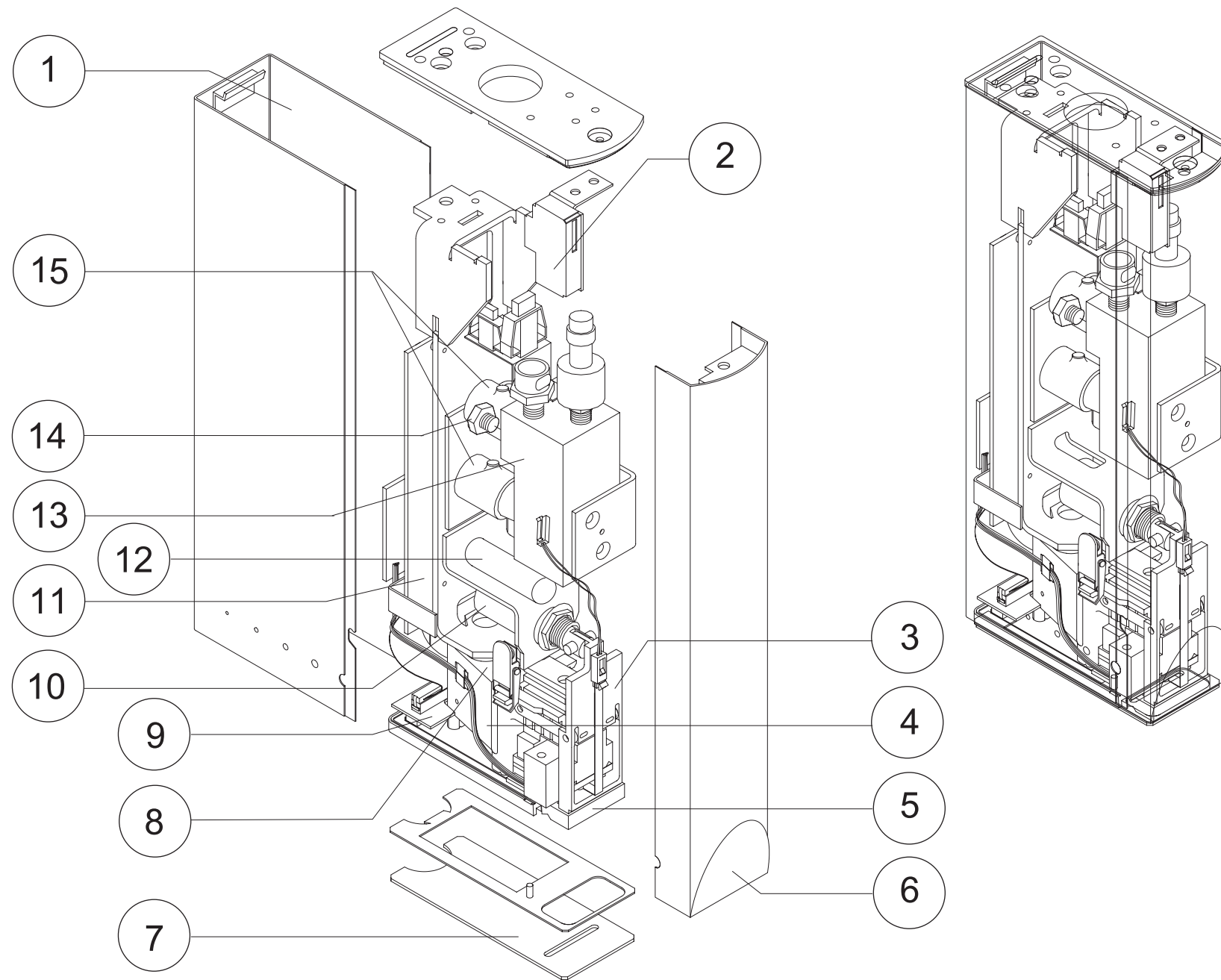
# Options Dijit® Printers



# 5120 Printhead



# 5240 Printhead



## Chapter 2. Parts Lists

### Cables

Description	Part Number
CABLE - T/C PKGD	0182732
CABLE ASSEMBLY-COAXIAL BNC M/BNC 30 FT (FRU)	0186766
CABLE ASSEMBLY-COAXIAL BNC M/BNC 6 FT (FRU)	0186765
CABLE ASSY I/O-GPI EXT	0118076
CABLE ASSY -RELAY (FRU)	0178938
CABLE ASSY SORT CODE EXT	0118077
CABLE ASSY-SIGS SORT CODE ADPT	0178602
CABLE ASSY-SORT CODE	0178603
CABLE OYSTER TERMINAL	0181693
CABLE, 25DM/25DF 10 FT	0178546
CABLE, 9DM/9DF 10 FT	0178547
CABLE, ACHV TO IJC	0178548
CABLE, BREAKER TO ACHV	0178529
CABLE, CHARGE DR TO PH (240)	0178589
CABLE, DS MAIN TO IJC	0178527
CABLE, DS MAIN TO IJC (FRU)	0188767
CABLE, DS OUTPUT TO IJC	0178528
CABLE, DS OUTPUT TO IJC (FRU)	0188766
CABLE, ETHERNET TO DS MAIN	0178530
CABLE, FLUID SYSTEM AC	0178500
CABLE, FLUID SYSTEM DC	0178526
CABLE, K4K TO IJC FRUN	0178634
CABLE, K4K TO K4K MOTHER BOARD	0178633
CABLE, OP PANEL TO IJC	0178549
CABLE, PARALLEL 6 FOOT	0178550
CABLE, RELAY OUTPUT TO ACHV	0178531
CABLE, SERIAL	0178552
CABLE, TRANSDUCER JUMPER	0178650
CABLE-5120/5240 TACH/CUE EXT. 20FT.-PKG	0183205
CABLE-ADAPTER	0188373
CABLE-OP PANEL TO IJC (240N)	0181462
CABLE-RIBBON (IJ-INK HEATER) (240N)	0182430
CABLE-S100/S200:5120/5240 TACH/CUE, 10 FT.	0178740
CABLE-S220:5120/5240 TACH/CUE, 30 FT, PKGD	0186001
CABLE-SCSI TAPE DRIVE (NEW) HI DENSITY	0183434
CABLE-SCSI TAPE DRIVE (OLD) 50P CENTRONICS	0178551
CABLE-VOLTAGE SWITCH JUMPER (FRU)	0188272

## Circuit Boards

Description	Part Number
5122 CHARGE DRIVER BOARD FRU	0188382
ISA TO SCSI ADAPT BD PKGD	0176040
K4K BOARD ASSY	P0177611
PCB- ACHV ASSY FRU	P0178571
PCB INK HEATER (240N) W/VERSION 4.02 IJC FIRMWARE	0182511
PCB, ADAPTER (240)	0178590
PCB, CHARGE DRIVER 120	P0178572
PCB, CHARGE DVR INTRFACE (240)	P0178573
PCB, COM3/LPT2 OR COMP4/LPT3	0178580
PCB, DS MAIN/OUTPUT ASSY PKGD	P0179505
PCB, DS MAIN/OUTPUT HIMEM PKGD	P0179584
PCB, DS OUTPUT ASSY PKGD	P0179506
PCB, IJC ASSY - 240 FRU	P0180553
PCB, IJC ASSY - 240N FRU	P0182680
PCB, IJC ASSY (120)	P0178576
PCB, K4K MOTHERBOARD	0178597
PCB, SEVEN SEGMENT	0178635
PCB, TAB BUFFER (120)	0178591
PCB-IJC ASSY, 5122 (FRU)	P0188153

## Consumables

Description	Part Number
BYPASS ASSEMBLY (5122) FRU	0188464
CLIP-FILTER PRINTHEAD	0182528
CONS-ADH 3M CA-8	0110251
CONS-HANDCLNR DYE	0110261
CONTAINER - SHIPPING PRINTHEAD	0173668
FILTER ASSEMBLY VENT	0178610
FILTER ASSY, MAIN	0178611
FILTER, AIR	0178612
FILTER, FLUID INLINE	0178613
FILTER, POSITIVE AIR	0178615
FILTER, VACUUM REGULATOR LARGE	0181227
FILTER-AIR INGEST (5240N, 5122) FRU	0182523
FILTER-IN-LINE .125d TBG 25u BARB, 10 EACH (FRU)	0188043
FILTERS KIT	0178600
FITTINGS KIT	0178605
FLUID BYPASS ASSEMBLY	0178617
FOAM SWAB (QTY 100) PKGD	0180555
FUSE 10A SELECTOR SW QTY 10	0178607
FUSE 4 AMP ACHV QTY 10	0178609

Description	Part Number
FUSE 40MA ACHV QTY 10	0178714
FUSE 6.3 A IJC QTY 10	0178606
MIST FILTER (4 PACK)	0187283
PH BOTTOM COVER ASSY 120	0178582
PH BOTTOM COVER ASSY 240	0178583
TAPE-REFLECTIVE	SB75219
TUBING-FLEX .125/ .250 SILICONE 50A	0101070-018
TUBING-FLEX .170/ .250 POLYETHYLENE VLD	0101070-055
TUBING-FLEX .375/ .625 SILICONE 50A	0101070-026
WASHER-SOLENOID (QTY 10) (PKGD)	0183433



## All Parts by Number

Part Number	Description
0101070-018	TUBING-FLEX .125/ .250 SILICONE 50A
0101070-026	TUBING-FLEX .375/ .625 SILICONE 50A
0101070-055	TUBING-FLEX .170/ .250 POLYETHYLENE VLD
0104004-030	MONITOR-14" COLOR 1,024x768 NI
0104004-036	MONITOR-15" COLOR 1024X768 NI
0110251	CONS-ADH 3M CA-8
0110261	CONS-HANDCLNR DYE
0118076	CABLE ASSY I/O-GPI EXT
0118077	CABLE ASSY SORT CODE EXT
0139687	DRAIN TUBE
0173668	CONTAINER - SHIPPING PRINTHEAD
0174104	FIBER OPTIC ASSY - PACKAGED
0175183	SCSI INTERFACE KIT
0175780	CUE ASSY (6 FT) W/PKG
0176040	ISA TO SCSI ADAPT BD PKGD
0178499	VAC REGULATOR ASSEMBLY
0178500	CABLE, FLUID SYSTEM AC
0178526	CABLE, FLUID SYSTEM DC
0178527	CABLE, DS MAIN TO IJC
0178528	CABLE, DS OUTPUT TO IJC
0178529	CABLE, BREAKER TO ACHV
0178530	CABLE, ETHERNET TO DS MAIN
0178531	CABLE, RELAY OUTPUT TO ACHV
0178532	VALVE, FILL
0178534	POSITIVE AIR SWITCH ASSEMBLY
0178535	VAC TRANSDUCER ASSEMBLY
0178536	VOLTAGE SELECTOR SWITCH ASSY
0178537	FITTING, MIST FILTER
0178538	FLOAT SWITCH ASSEMBLY
0178540	AC LINE FILTER ASSEMBLY
0178541	MIST HOUSING ASSEMBLY
0178546	CABLE, 25DM/25DF 10 FT
0178547	CABLE, 9DM/9DF 10 FT
0178548	CABLE, ACHV TO IJC
0178549	CABLE, OP PANEL TO IJC
0178550	CABLE, PARALLEL 6 FOOT
0178551	CABLE-SCSI TAPE DRIVE (OLD) 50P CENTRONICS
0178552	CABLE, SERIAL
0178553	CIRCUIT BREAKER
0178555	COVER, PH FRONT HOUSING (240)
0178556	COVER, PH REAR HOUSING (240)
0178557	COVER, PH REAR HOUSING 120
0178558	COVER, PH FRONT HOUSING 120

<b>Part Number</b>	<b>Description (Continued)</b>
0178559	TRANSCEIVER-ETHERNET
0178560	EYELID ASSY 120
0178561	EYELID ASSY 240
0178562	EYELID, SEAL 120
0178564	EYELID, SOLENOID ASSY 120/240
0178566	FAN 115V (5120)
0178570	NEST, PRINthead (240)
0178578	OPERATOR PANEL ASSY
0178580	PCB, COM3/LPT2 OR COMP4/LPT3
0178582	PH BOTTOM COVER ASSY 120
0178583	PH BOTTOM COVER ASSY 240
0178584	BYPASS PRINthead ASSY (240)
0178586	TRANSFORMER ASSY
0178587	VALVE-XFLUSH/ANTISIPH/AIR INGEST
0178588	SWITCH, SAFETY INTERLOCK ASSY
0178589	CABLE, CHARGE DR TO PH (240)
0178590	PCB, ADAPTER (240)
0178591	PCB, TAB BUFFER (120)
0178596	THERMISTOR INK/PH
0178597	PCB, K4K MOTHERBOARD
0178600	FILTERS KIT
0178602	CABLE ASSY-SIGS SORT CODE ADPT
0178603	CABLE ASSY-SORT CODE
0178605	FITTINGS KIT
0178606	FUSE 6.3 A IJC QTY 10
0178607	FUSE 10A SELECTOR SW QTY 10
0178609	FUSE 4 AMP ACHV QTY 10
0178610	FILTER ASSEMBLY VENT
0178611	FILTER ASSY, MAIN
0178612	FILTER, AIR
0178613	FILTER, FLUID INLINE
0178615	FILTER, POSITIVE AIR
0178617	FLUID BYPASS ASSEMBLY
0178633	CABLE, K4K TO K4K MOTHER BOARD
0178634	CABLE, K4K TO IJC FRUN
0178635	PCB, SEVEN SEGMENT
0178644	RETURN ORIFICE ASSY-120 FRU
0178645	JAR/FILTER ASSEMBLY
0178650	CABLE, TRANSDUCER JUMPER
0178714	FUSE 40MA ACHV QTY 10
0178740	CABLE-S100/S200:5120/5240 TACH/CUE, 10 FT.
0178778	DISK-CD-ROM DRIVER
0178833	CUE ASSY - PKGD
0178938	CABLE ASSY -RELAY (FRU)

<b>Part Number</b>	<b>Description (Continued)</b>
0179331	KEYBOARD,PC/AT 104 WIN W/SKIN
0179654	FLASH CARD B 32MB V2.30 STD US FONTS PKGD
0179925	POWER STRIP
0180087	POWER SUPPLY-LOW VOLTAGE (FRU)
0180235	STEPPER MOTOR ASSY FRU
0180237	SFTW V1.03 CD KANJI PC PKGD
0180246	RETURN ORIFICE ASSY-240 FRU
0180279	SOFTWARE-V1.05.11 FLASH W/ENET, PKGD
0180555	FOAM SWAB (QTY 100) PKGD
0181011	CD-ADOBE TYPE FONTS - FRU
0181018	VACUUM ELBOW FRU
0181227	FILTER, VACUUM REGULATOR LARGE
0181327	FLASHCARD A-32MB, V2.30 ENET US FONTS, PKGD
0181462	CABLE-OP PANEL TO IJC (240N)
0181693	CABLE OYSTER TERMINAL
0181772	EYELID, SOLENOID ASSY PACKAGED-120
0181879	KNOB-KNRLD 5/16-18 PHEN BLK PKGD
0181880	CUE MOUNT ASSEMBLY PKGD
0181881	KNOB-KNRLD .375D SHFT PHEN BLK PKGD
0182118	FLASH CARD A 2MB V1.05.09 STD PKGD
0182119	FLASH CARD B VER1 20MB 5120 US FONTS PKGD
0182120	FLASH CARD B VER1 20MB 5120 US FONTS PKGD
0182121	FLASH CARD B VER1 20MB 524 KANJI FONTS PKGD
0182122	FLASH CARD B VER1 20MB 5240EXT KANJI FONTS PKGD
0182219	FLASH CARD B 32MB BLANK PKGD
0182430	CABLE-RIBBON (IJ-INK HEATER) (240N)
0182511	PCB INK HEATER (240N) W/VERSION 4.02 IJC FIRMWARE
0182512	VALVE-CATCHER (240N)
0182523	FILTER-AIR INGEST (5240N, 5122) FRU
0182525	HEATER-INK CONDENSATIN (240N)
0182528	CLIP-FILTER PRINthead
0182732	CABLE - T/C PKGD
0183205	CABLE-5120/5240 TACH/CUE EXT. 20FT.-PKGD
0183339	SENSOR-SPILL (FRU)
0183433	WASHER-SOLENOID (QTY 10) (PKGD)
0183434	CABLE-SCSI TAPE DRIVE (NEW) HI DENSITY
0184930	MOUSE-PS2/SERIAL COMBO
0185429	PIVOT BRACKET ASSY (FRU)
0185430	CAM FOLLOWER (FRU)
0186001	CABLE-S220:5120/5240 TACH/CUE, 30 FT, PKGD
0186760	INK TANK ASSY (5120/5240) FRU
0186761	INK TANK ASSY (5240N) FRU
0186765	CABLE ASSEMBLY-COAXIAL BNC M/BNC 6 FT (FRU)
0186766	CABLE ASSEMBLY-COAXIAL BNC M/BNC 30 FT (FRU)

Part Number	Description (Continued)
0186767	CONNECTOR-COAXIAL BNC "T" ADAPTER (FRU)
0186768	CONNECTOR-COAXIAL 60 OHM TERMINATOR (FRU)
0187414	5120, 522, 5240 CUE MOUNTING KIT
0187283	MIST FILTER (4 PACK)
0187298	PRINTER FOOT FRU
0187892	OPERATOR PANEL DARK ASSY DARK GRAY
0188032	FRONT COVER (5122) PRINthead (FRU)
0188033	BOTTOM COVER (5122) PRINthead (FRU)
0188034	SOLENOID-EYELID (5122) (FRU)
0188035	COVER-REAR P.H. (5122) (FRU)
0188036	FLUID SUPPLY (FRU)
0188037	AIR PUMP (FRU)
0188043	FILTER-IN-LINE .125d TBG 25u BARB, 10 EACH (FRU)
0188200	PH-2"/120 DPI, PKD
0188272	CABLE-VOLTAGE SWITCH JUMPER (FRU)
0188301	CUE MOUNT ASSEMBLY PKGD
0188364	ASSEMBLY-VACUUM PUMP
0188373	CABLE-ADAPTER
0188382	5122 CHARGE DRIVER BOARD FRU
0188464	BYPASS ASSEMBLY (5122) FRU
0188575	2" EYELID ASSEMBLY
0188766	CABLE, DS OUTPUT TO IJC (FRU)
0188767	CABLE, DS MAIN TO IJC (FRU)
P0177611	K4K BOARD ASSY
P0178533	FLUID SUPPLY ASSY 5120/5240
P0178569	MULTIPLE PRINTER INTERFACE
P0178571	PCB- ACHV ASSY FRU
P0178572	PCB, CHARGE DRIVER 120
P0178573	PCB, CHARGE DVR INTRFACE (240)
P0178576	PCB, IJC ASSY (120)
P0178585	TAPE DRIVE, ODI 6250 SCSI
P0178592	UMBILICAL/PH HOUSING 120-12 FT
P0178593	UMBILICAL/PH HOUSING 120-24 FT
P0178594	UMBILICAL/PH HOUSING 240-12 FT
P0178595	UMBILICAL/PH HOUSING 240-24 FT
P0178640	VACUUM PUMP FRU
P0178643	AIR PUMP
P0179505	PCB, DS MAIN/OUTPUT ASSY PKGD
P0179506	PCB, DS OUTPUT ASSY PKGD
P0179584	PCB, DS MAIN/OUTPUT HIMEM PKGD
P0180553	PCB, IJC ASSY - 240 FRU
P0180717	MANIFOLD ASSY-PRINthead (120) PKGD
P0180718	MANIFOLD ASSY-PRINthead (240) PKGD
P0182427	VACUUM PUMP (240N) FRU

<b>Part Number</b>	<b>Description (Continued)</b>
P0182428	UMBILICAL / PH HOUSING- (240N ) 12' FRU
P0182429	UMBILICAL / PH HOUSING- (240N ) 24' FRU
P0182524	MANIFOLD ASSY-PRINTHEAD (240N) PKGD
P0182680	PCB, IJC ASSY - 240N FRU
P0185071	MAILSCAPE COMPUTER (INTEL) FRU
P0186889	PC-JETSCAPE
P0188038	UMBILICAL-2", 120 DPI, 12 FT. ASSY (FRU)
P0188041	UMBILICAL-2", 120DPI, 24 FT. ASSY (FRU)
P0188153	PCB-IJC ASSY, 5122 (FRU)
P0188157	POWER SUPPLY-LOW VOLTAGE (5240N 5122) (FRU)
P0188979	PC (MAILSCAPE/ITOX) FRU
P0188981	PC (DUAL CONTROLLER/ITOX) FRU
PH0139750	PH - 1" / 120 DPI (REBUILT)
PH0139750	PH - 1"/120 DPI (REBUILT)
PH0181000	PH - 1"/240 DPI RGR
SB75219	TAPE-REFLECTIVE
X0180032	CONTROLLER
X0185071	COMPUTER-MAILSCAPE (INTEL) FRU
X0188267	PC-DUAL CONTROLLER (FRU)

## All Parts by Description

<b>Description</b>	<b>Part Number</b>
2" EYELID ASSEMBLY	0188575
5120, 522, 5240 CUE MOUNTING KIT	0187414
5122 CHARGE DRIVER BOARD FRU	0188382
AC LINE FILTER ASSEMBLY	0178540
AIR PUMP	P0178643
AIR PUMP (FRU)	0188037
ASSEMBLY-VACUUM PUMP	0188364
BOTTOM COVER (5122) PRINTHEAD (FRU)	0188033
BYPASS ASSEMBLY (5122) FRU	0188464
BYPASS PRINTHEAD ASSY (240)	0178584
CABLE - T/C PKGD	0182732
CABLE ASSEMBLY-COAXIAL BNC M/BNC 30 FT (FRU)	0186766
CABLE ASSEMBLY-COAXIAL BNC M/BNC 6 FT (FRU)	0186765
CABLE ASSY I/O-GPI EXT	0118076
CABLE ASSY -RELAY (FRU)	0178938
CABLE ASSY SORT CODE EXT	0118077
CABLE ASSY-SIGS SORT CODE ADPT	0178602
CABLE ASSY-SORT CODE	0178603
CABLE OYSTER TERMINAL	0181693
CABLE, 25DM/25DF 10 FT	0178546

Description (Continued)	Part Number
CABLE, 9DM/9DF 10 FT	0178547
CABLE, ACHV TO IJC	0178548
CABLE, BREAKER TO ACHV	0178529
CABLE, CHARGE DR TO PH (240)	0178589
CABLE, DS MAIN TO IJC	0178527
CABLE, DS MAIN TO IJC (FRU)	0188767
CABLE, DS OUTPUT TO IJC	0178528
CABLE, DS OUTPUT TO IJC (FRU)	0188766
CABLE, ETHERNET TO DS MAIN	0178530
CABLE, FLUID SYSTEM AC	0178500
CABLE, FLUID SYSTEM DC	0178526
CABLE, K4K TO IJC FRUN	0178634
CABLE, K4K TO K4K MOTHER BOARD	0178633
CABLE, OP PANEL TO IJC	0178549
CABLE, PARALLEL 6 FOOT	0178550
CABLE, RELAY OUTPUT TO ACHV	0178531
CABLE, SERIAL	0178552
CABLE, TRANSDUCER JUMPER	0178650
CABLE-5120/5240 TACH/CUE EXT. 20FT.-PKGD	0183205
CABLE-ADAPTER	0188373
CABLE-OP PANEL TO IJC (240N)	0181462
CABLE-RIBBON (IJ-INK HEATER) (240N)	0182430
CABLE-S100/S200:5120/5240 TACH/CUE, 10 FT.	0178740
CABLE-S220:5120/5240 TACH/CUE, 30 FT, PKGD	0186001
CABLE-SCSI TAPE DRIVE (NEW) HI DENSITY	0183434
CABLE-SCSI TAPE DRIVE (OLD) 50P CENTRONICS	0178551
CABLE-VOLTAGE SWITCH JUMPER (FRU)	0188272
CAM FOLLOWER (FRU)	0185430
CD-ADOBE TYPE FONTS - FRU	0181011
CIRCUIT BREAKER	0178553
CLIP-FILTER PRINTHEAD	0182528
COMPUTER-MAILSCAPE (INTEL) FRU	X0185071
CONNECTOR-COAXIAL 60 OHM TERMINATOR (FRU)	0186768
CONNECTOR-COAXIAL BNC "T" ADAPTER (FRU)	0186767
CONS-ADH 3M CA-8	0110251
CONS-HANDCLNR DYE	0110261
CONTAINER - SHIPPING PRINTHEAD	0173668
CONTROLLER	X0180032
COVER, PH FRONT HOUSING (240)	0178555
COVER, PH FRONT HOUSING 120	0178558
COVER, PH REAR HOUSING (240)	0178556
COVER, PH REAR HOUSING 120	0178557
COVER-REAR P.H. (5122) (FRU)	0188035
CUE ASSY - PKGD	0178833

<b>Description (Continued)</b>	<b>Part Number</b>
CUE ASSY (6 FT) W/PKG	0175780
CUE MOUNT ASSEMBLY PKGD	0181880
CUE MOUNT ASSEMBLY PKGD	0188301
DISK-CD-ROM DRIVER	0178778
DRAIN TUBE	0139687
EYELID ASSY 120	0178560
EYELID ASSY 240	0178561
EYELID, SEAL 120	0178562
EYELID, SOLENOID ASSY 120/240	0178564
EYELID, SOLENOID ASSY PACKAGED-120	0181772
FAN 115V (5120)	0178566
FIBER OPTIC ASSY - PACKAGED	0174104
FILTER ASSEMBLY VENT	0178610
FILTER ASSY, MAIN	0178611
FILTER, AIR	0178612
FILTER, FLUID INLINE	0178613
FILTER, POSITIVE AIR	0178615
FILTER, VACUUM REGULATOR LARGE	0181227
FILTER-AIR INGEST (5240N, 5122) FRU	0182523
FILTER-IN-LINE .125d TBG 25u BARB, 10 EACH (FRU)	0188043
FILTERS KIT	0178600
FITTING, MIST FILTER	0178537
FITTINGS KIT	0178605
FLASH CARD B 32MB BLANK PKGD	0182219
FLASH CARD A 2MB V1.05.09 STD PKGD	0182118
FLASH CARD B 32MB V2.30 STD US FONTS PKGD	0179654
FLASH CARD B VER1 20MB 5120 US FONTS PKGD	0182119
FLASH CARD B VER1 20MB 5120 US FONTS PKGD	0182120
FLASH CARD B VER1 20MB 524 KANJI FONTS PKGD	0182121
FLASH CARD B VER1 20MB 5240EXT KANJI FONTS PKGD	0182122
FLASHCARD A-32MB, V2.30 ENET US FONTS, PKGD	0181327
FLOAT SWITCH ASSEMBLY	0178538
FLUID BYPASS ASSEMBLY	0178617
FLUID SUPPLY (FRU)	0188036
FLUID SUPPLY ASSY 5120/5240	P0178533
FOAM SWAB (QTY 100) PKGD	0180555
FRONT COVER (5122) PRINTHEAD (FRU)	0188032
FUSE 10A SELECTOR SW QTY 10	0178607
FUSE 4 AMP ACHV QTY 10	0178609
FUSE 40MA ACHV QTY 10	0178714
FUSE 6.3 A IJC QTY 10	0178606
HEATER-INK CONDENSATIN (240N)	0182525
INK TANK ASSY (5120/5240) FRU	0186760
INK TANK ASSY (5240N) FRU	0186761

Description (Continued)	Part Number
ISA TO SCSI ADAPT BD PKGD	0176040
JAR/FILTER ASSEMBLY	0178645
K4K BOARD ASSY	P0177611
KEYBOARD,PC/AT 104 WIN W/SKIN	0179331
KNOB-KNRLD .375D SHFT PHEN BLK PKGD	0181881
KNOB-KNRLD 5/16-18 PHEN BLK PKGD	0181879
MAILSCAPE COMPUTER (INTEL) FRU	P0185071
MANIFOLD ASSY-PRINthead (120) PKGD	P0180717
MANIFOLD ASSY-PRINthead (240) PKGD	P0180718
MANIFOLD ASSY-PRINthead (240N) PKGD	P0182524
MIST FILTER (4 PACK)	0187283
MIST HOUSING ASSEMBLY	0178541
MONITOR-14" COLOR 1,024x768 NI	0104004-030
MONITOR-15" COLOR 1024X768 NI	0104004-036
MOUSE-PS2/SERIAL COMBO	0184930
MULTIPLE PRINTER INTERFACE	P0178569
NEST, PRINthead (240)	0178570
OPERATOR PANEL ASSY	0178578
OPERATOR PANEL DARK ASSY DARK GRAY	0187892
PC (DUAL CONTROLLER/ITOX) FRU	P0188981
PC (MAILSCAPE/ITOX) FRU	P0188979
PCB- ACHV ASSY FRU	P0178571
PCB INK HEATER (240N) W/VERSION 4.02 IJC FIRMWARE	0182511
PCB, ADAPTER (240)	0178590
PCB, CHARGE DRIVER 120	P0178572
PCB, CHARGE DVR INTRFACE (240)	P0178573
PCB, COM3/LPT2 OR COMP4/LPT3	0178580
PCB, DS MAIN/OUTPUT ASSY PKGD	P0179505
PCB, DS MAIN/OUTPUT HIMEM PKGD	P0179584
PCB, DS OUTPUT ASSY PKGD	P0179506
PCB, IJC ASSY - 240 FRU	P0180553
PCB, IJC ASSY - 240N FRU	P0182680
PCB, IJC ASSY (120)	P0178576
PCB, K4K MOTHERBOARD	0178597
PCB, SEVEN SEGMENT	0178635
PCB, TAB BUFFER (120)	0178591
PCB-IJC ASSY, 5122 (FRU)	P0188153
PC-DUAL CONTROLLER (FRU)	X0188267
PC-JETSCAPE	P0186889
PH - 1" / 120 DPI (REBUILT)	PH0139750
PH - 1"/120 DPI (REBUILT)	PH0139750
PH - 1"/240 DPI RGR	PH0181000
PH BOTTOM COVER ASSY 120	0178582
PH BOTTOM COVER ASSY 240	0178583



<b>Description (Continued)</b>	<b>Part Number</b>
PH-2"/120 DPI, PKD	0188200
PIVOT BRACKET ASSY (FRU)	0185429
POSITIVE AIR SWITCH ASSEMBLY	0178534
POWER STRIP	0179925
POWER SUPPLY-LOW VOLTAGE (5240N 5122) (FRU)	P0188157
POWER SUPPLY-LOW VOLTAGE (FRU)	0180087
PRINTER FOOT FRU	0187298
RETURN ORIFICE ASSY-120 FRU	0178644
RETURN ORIFICE ASSY-240 FRU	0180246
SCSI INTERFACE KIT	0175183
SENSOR-SPILL (FRU)	0183339
SFTW V1.03 CD KANJI PC PKGD	0180237
SOFTWARE-V1.05.11 FLASH W/ENET, PKGD	0180279
SOLENOID-EYELID (5122) (FRU)	0188034
STEPPER MOTOR ASSY FRU	0180235
SWITCH, SAFETY INTERLOCK ASSY	0178588
TAPE DRIVE, ODI 6250 SCSI	P0178585
TAPE-REFLECTIVE	SB75219
THERMISTOR INK/PH	0178596
TRANSCEIVER-ETHERNET	0178559
TRANSFORMER ASSY	0178586
TUBING-FLEX .125/ .250 SILICONE 50A	0101070-018
TUBING-FLEX .170/ .250 POLYETHYLENE VLD	0101070-055
TUBING-FLEX .375/ .625 SILICONE 50A	0101070-026
UMBILICAL / PH HOUSING- (240N ) 12' FRU	P0182428
UMBILICAL / PH HOUSING- (240N ) 24' FRU	P0182429
UMBILICAL/PH HOUSING 120-12 FT	P0178592
UMBILICAL/PH HOUSING 120-24 FT	P0178593
UMBILICAL/PH HOUSING 240-12 FT	P0178594
UMBILICAL/PH HOUSING 240-24 FT	P0178595
UMBILICAL-2", 120 DPI, 12 FT. ASSY (FRU)	P0188038
UMBILICAL-2", 120DPI, 24 FT. ASSY (FRU)	P0188041
VAC REGULATOR ASSEMBLY	0178499
VAC TRANSDUCER ASSEMBLY	0178535
VACUUM ELBOW FRU	0181018
VACUUM PUMP (240N) FRU	P0182427
VACUUM PUMP FRU	P0178640
VALVE, FILL	0178532
VALVE-CATCHER (240N)	0182512
VALVE-XFLUSH/ANTISIPH/AIR INGEST	0178587
VOLTAGE SELECTOR SWITCH ASSY	0178536
WASHER-SOLENOID (QTY 10) (PKGD)	0183433

**Scitex Digital Printing, Inc.**  
3000 Research Boulevard  
Dayton, Ohio 45420-4099  
Tel.: (937) 259-3000



0113783

